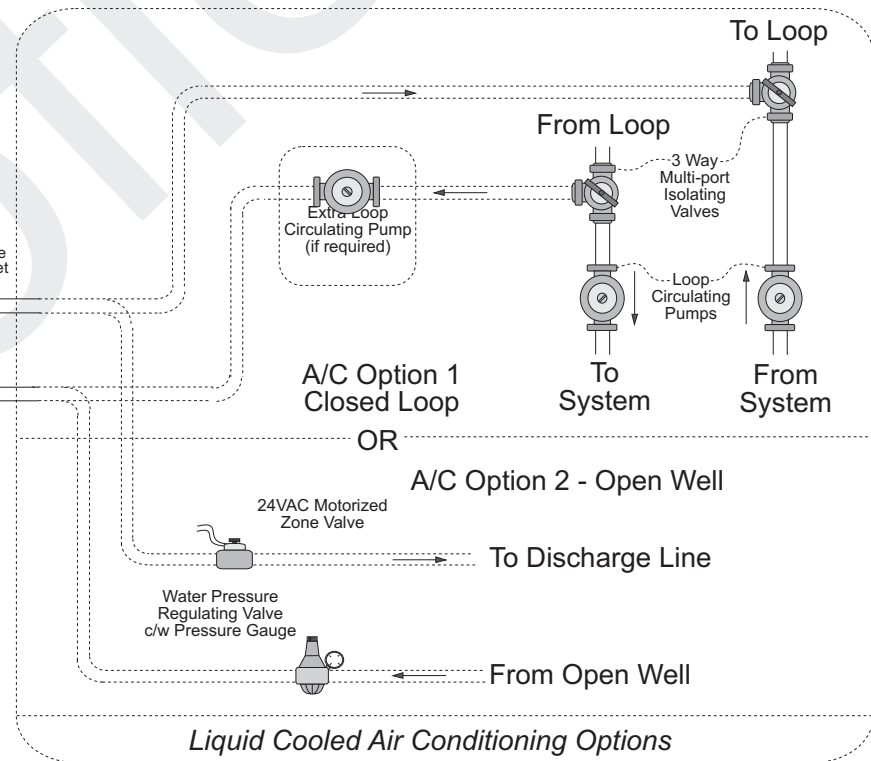
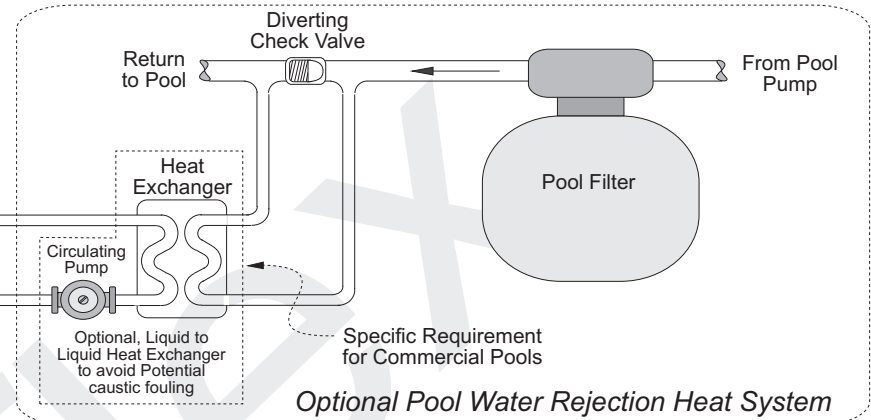
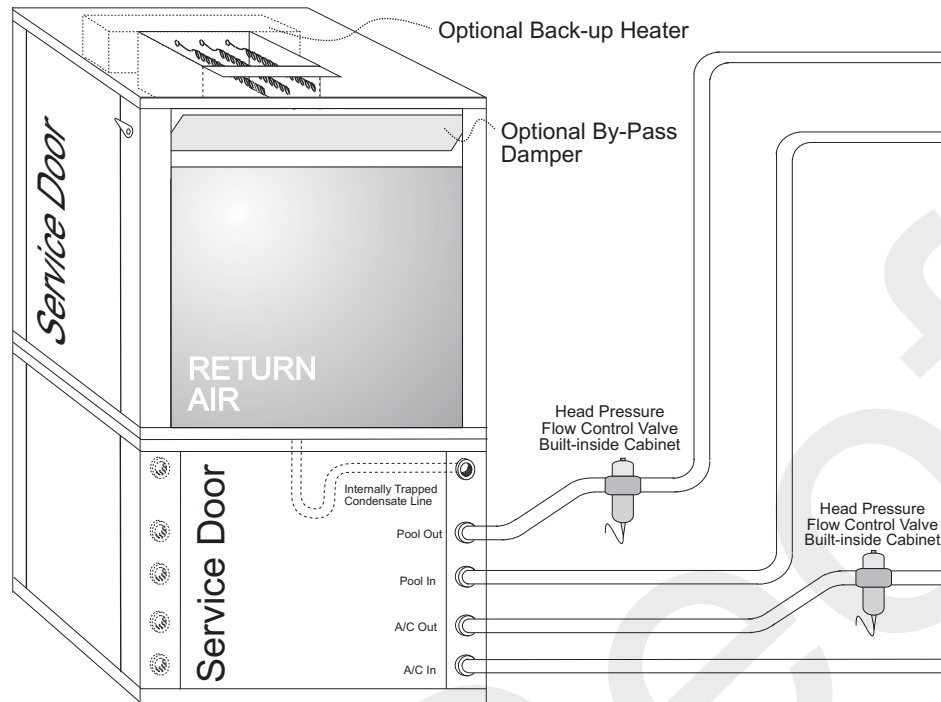


**Geoflex Single Compressor
Dehumidification System - Top Discharge**
Models - 024 - 070 Single Stage
Models - 026 - 072 Two Stage

Abstract Illustration Only,
Not intended as Installation Guide



Single Compressor Dehumidification System

Standard Features

- Service Doors Surround System
- On-Board Diagnostic Circuit Boards
- Internally Mounted Head Pressure Flow Controls
- 1" Acoustical Insulation throughout system
- Moisture Indicating Sight Glass & Filter/Drier
- Internally Trapped Condensate Drain Line
- Top or Straight through Air Discharge available

Notes

- Dehumidification Process Heat is Recovered and Sent to the Pool Water/Pool Room Air
- Process Heat can be sent to open well, closed loop or any other Heat Recovery Opportunity.
- When system is installed in a commercial application, Secondary Heat Exchanger must be used to avoid corrosion opportunities

Geoflex Systems are designed within a modularized format to offer optimal configuration capabilities with consideration to efficiency, functionality, service & field adaption opportunities.



Note: All Geoflex Systems are CSA
(Canadian Standards Association) Approved

GF-GD-DH-05-05-07 TD - Single Compressor
all rights reserved © Geoflex Systems Inc. 2006
Due to ongoing research and development Geoflex reserves the right
to change or alter specifications and configurations without notice!

Plant Office:

517 McCormick Blvd., London, Ontario N5W 4C8
Phone: 519.488.1653 Fax: 519.913.1259
Email: plant@geoflexsystems.com

Administration Office:

#1, 301 Pakwa Pl., Saskatoon, SK, S7L 6A3
Phone: 306.668.0090 Fax: 306.668.0049
Email: admin@geoflexsystems.com

www.geoflexsystems.com